

Laser Safety Systems



**Your Engineered Laser
Safety Solution**

Purpose: Module provides the final dry contact for connection to the interlock of a laser power supply or laser shutter controller. Module also provides terminals for introducing 24VDC to the overall system.



Front



Rear



Side

Dimensions: Width 2.8 inches Height 4.53 inches Depth in box 1.1 inches

Packaged weight: 115 grams

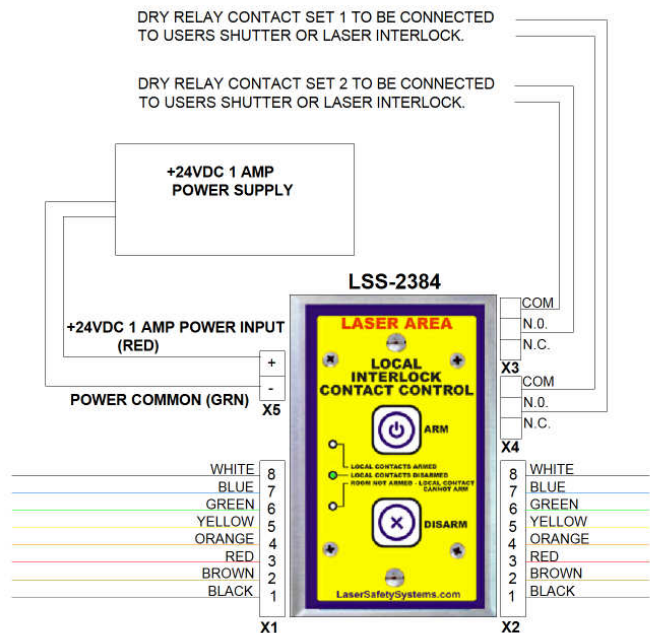
Typical installation location: Near laser table at approximately 4 feet AFF, or above laser table on utility shelf.

Typical mounting: This module is mounted in a surface mount single-gang outlet box to permit entry of system power and exit of interlock cables to users final laser or shutter connection. In-wall mounting is not appropriate for this module



Typical connection schematic:

Note: Only one power supply per system if multiple LSS2384 units are installed in a system



Technical Data

Electrical

Voltage	24VDC
Current consumed	30mA
per LSS2384 module	
Safety relay current Max	8 A
Endurance	20,000 cycles minimum

Mechanical

Terminal Accommodations	#22 AWG – #16 AWG
Environmental	Indoor usage
Flammability	UL94 V0
Operating Temperature	Maximum continuous +50°C, minimum -15°C

Materials

Back Body	FR4 PCB
Front Body	Powder coated Steel
Label	Printed Polycarbonate F150
Label Adhesive	3M type 467
Terminal Screws	Steel, galvanized with Cr3+ plating
Terminal Contacts	Nickel-Plated copper alloy
Rear body plastics:	Polyamide (UL94V-0)
Relay materials	Polyamide, Copper, Nylon, Steel
Solder (thru hole)	Lead Free K100LD (Kester)
Solder (paste)	Lead Free Sn42/Bi57.6/Ag0.4
Screws	Stainless Steel
Spacers	Nylon or aluminum
Nuts	Zinc-Plated steel with nylon insert

3rd Party Compliance

LSS-2384 is exempted from inspection under UL 508A section 43.2.1 due to its low-voltage power-limited status.

Module meets UL94V-0 Flammability standard.

Module is part of an overall system certified to fulfill the electrical interlock requirements of ANSI Z136.1-2014 for the safe use of lasers and Article 330 of NFPA 70E

Warranty

3 Year

Part number for Ordering

LSS-2384 or LSS2384

Additional information

LSS2384 specific operation, testing , and connection information is located on page 6 of the overall system user manual located at : https://www.lasersafetysystems.com/Laser_Safety_Systems_user_manual.pdf